

PB14146



Features

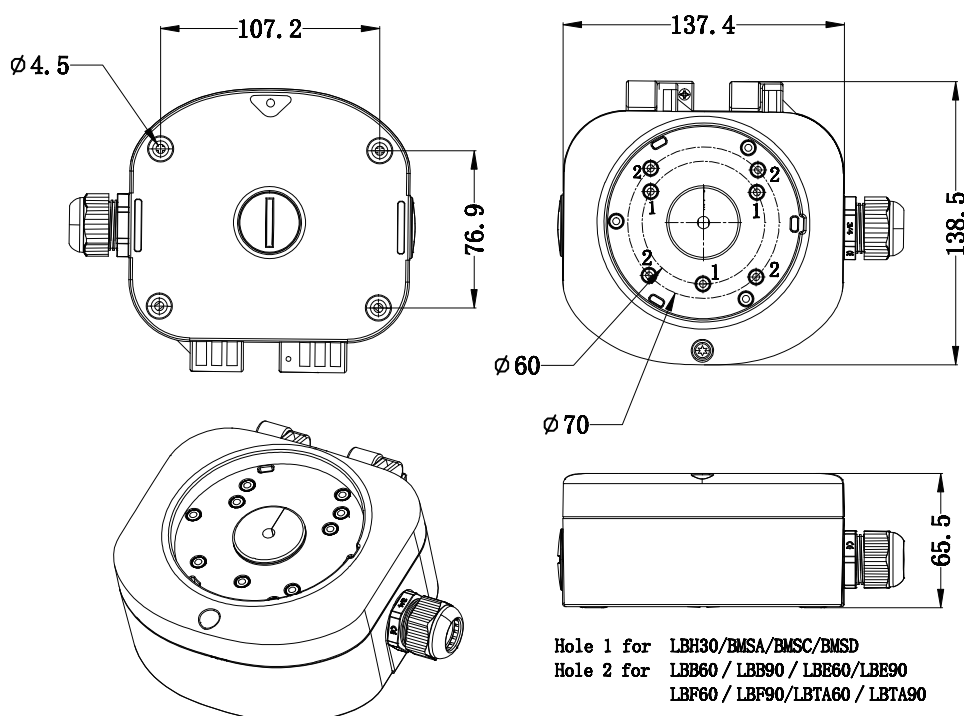
Aesthetic design

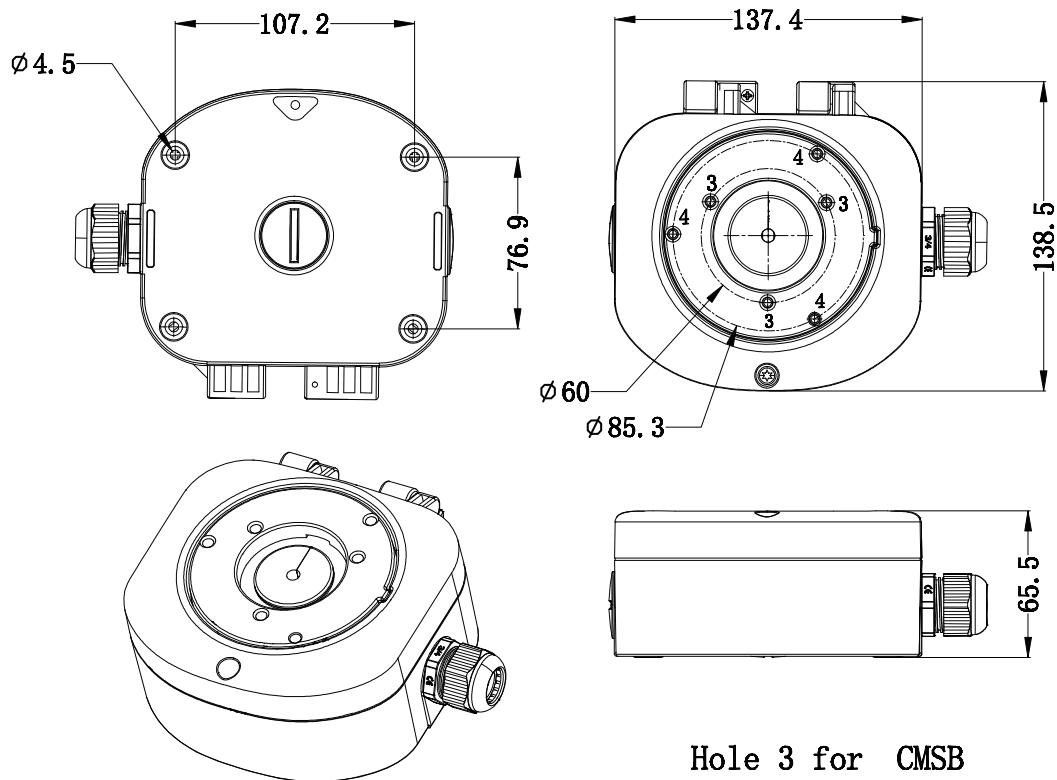
Main material: PA66+30%GF

Technical Specifications

Model	PB14146
Main material	PA66+30%GF
Dimension(WxHxD)	138.5(L)x137.4(W)x65.5(H)mm
Weight	602g
Color	Sand Grain White
Operating Temperature	-30°C ~ +60°C
Humidity	< 95% RH
Waterproof grade	IP66
Applicable Model	LBH30/BMSA/BMSC/BMSD/LBB60/LBB90/ LBE60/LBE90/LBF60/LBF90/LBTA60/LBTA90/ CMSB/CMSD

Dimensions (mm)





Hole 3 for CMSB
Hole 4 for CMSD

Packaging Information

PM4x10, 4pcs

PM4x19, 3pcs

M4x30, 4pcs Plastic expansion pipe, 4pcs

G3/4 waterproof cover(with waterproof ring),2pcs

Waterproof connector with silicone ring,1pcs

G3/4 silicone plug (inner diameter 5mm),1pcs

Double offset ring spanner,1pcs